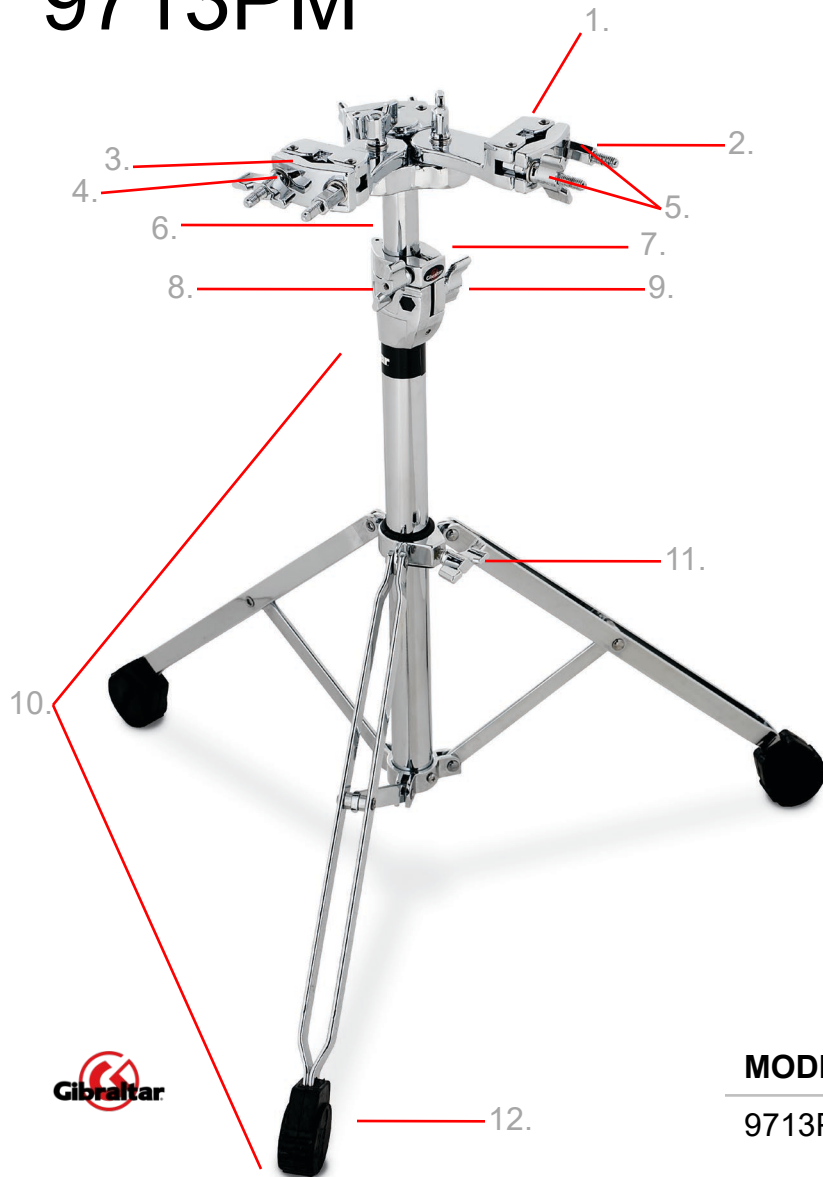


# 9713PM



ID	MODEL	PART
1	GP-4254	CLAMP SET
2	GPR005	8MM HEX NUT
3	GP-6243	C CLAMP
4	SC-13P2	8MM WING NUT
5	GP-4193	WING NUT/BOLT ASSEMBLY FOR PLATFORM MOUNT
6	GP-6245	UPPER TUBE WITH ADJUSTABLE PLATFORM MOUNT F/SC-APM
7	GP-4164	1" MEMORY LOCK ASSEMBLY
8	GP-4165	1" NYLON INNER BUSHING (NOT SHOWN)
9	GP-4166	WING NUT/SHORT BOLT SET
10	GP-4248	LOWER BASE ASSEMBLY
11	SC-0009	WING SCREW
12	GP-6268	ROUND RUBBER FOOT

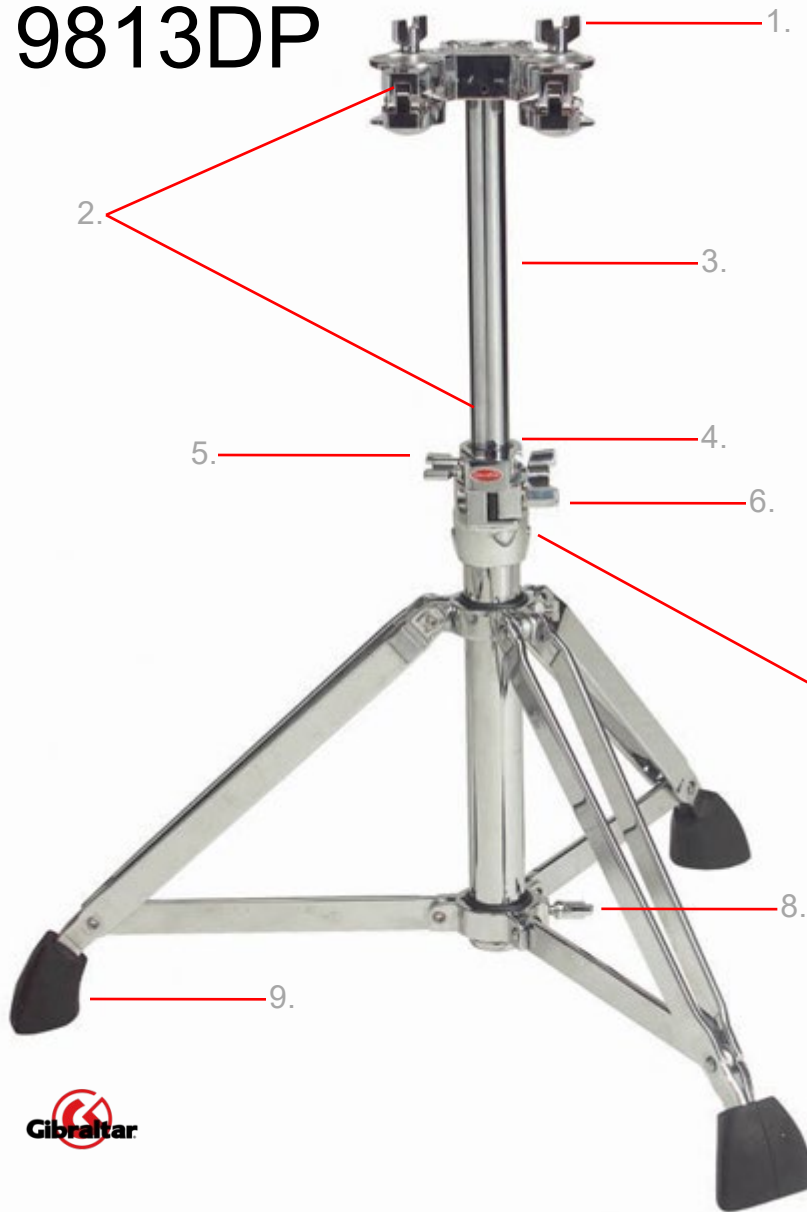
**MODEL**

**DESCRIPTION**

9713PM

9000 ADJUSTABLE PLATFORM MOUNT STAND

# 9813DP

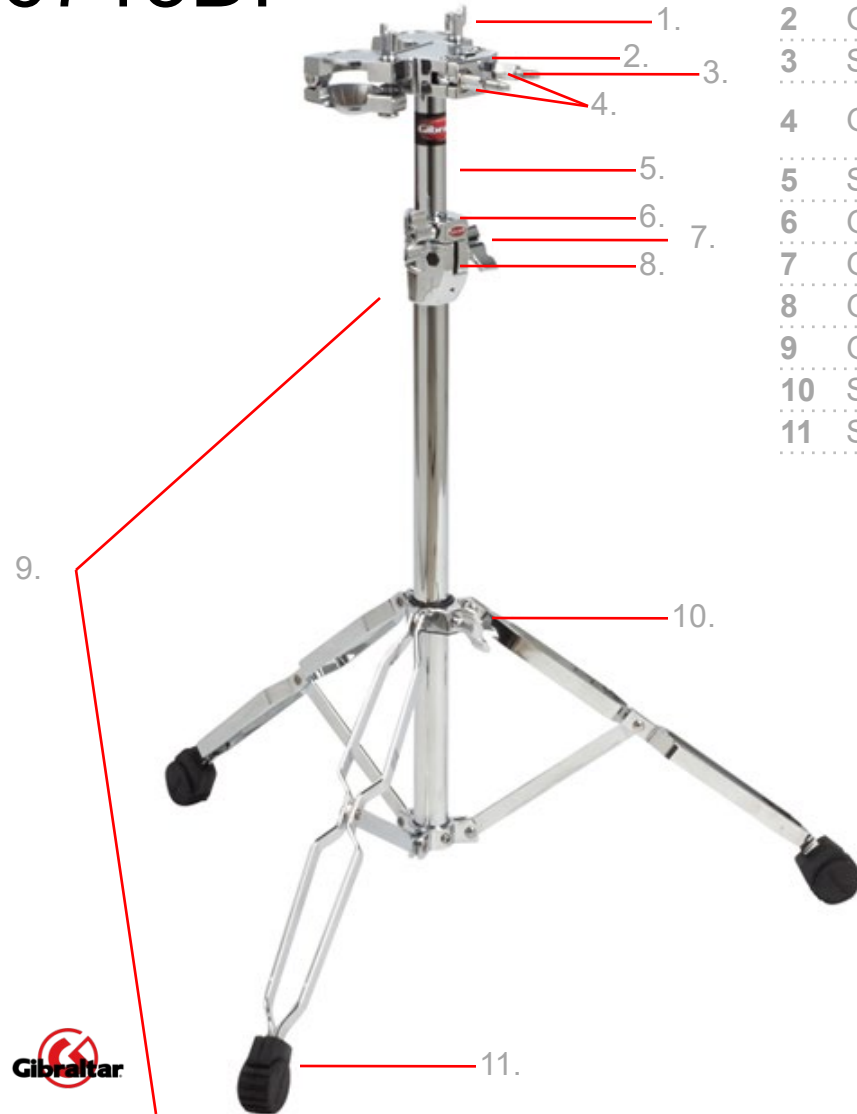


ID	MODEL	PART
1	SC-13P2	8MM WING NUT
2	SC-DP	DOUBLE PLATFORM MOUNT
3	GP-6247	UPPER PLATFORM MOUNT FOR 9813DP
4	GP-6164	1" FITTED MEMORY LOCK
5	SC-13P2	8MM WING NUT
6	GPR005	8MM HEX NUT
7	GP-6248	BASE ASSEMBLY FOR 9813DP
8	SC-0009	8MM WING BOLT
9	GP-6249	RUBBER FOOT

MODEL	DESCRIPTION
9813DP	9000 SERIES HEAVY DUTY DOUBLE TOM STAND



# 6713DP

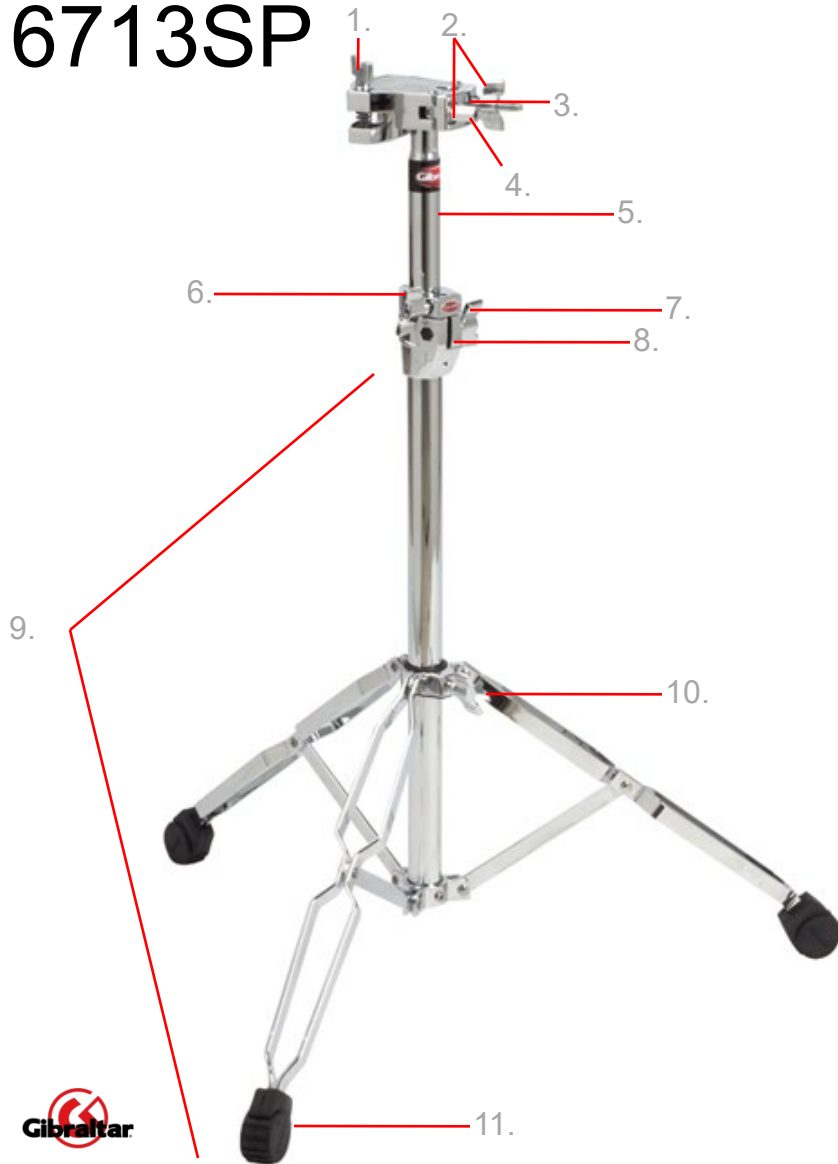


ID	MODEL	PART
1	SC-13P2	8MM WING NUT
2	GP-4192	C CLAMP FOR PLATFORM MOUNT
3	SC-005	8MM HEX NUT
4	GP-4193	WING NUT/BOLT ASSEMBLY FOR PLATFORM MOUNT
5	SC-DP	UPPER PLATFORM MOUNT
6	GP-4164	1" MEMORY LOCK ASSEMBLY
7	GP-4166	WING NUT/SHORT BOLT SET
8	GP-4165	1" NYLON INNER BUSHING
9	GP-4186	6700 LOWER BASE ASSEMBLY
10	SC-0009	WING BOLT
11	SC-PC10	RUBBER FOOT

MODEL	DESCRIPTION
6713DP	6000 SERIES DOUBLE TOM STAND



# 6713SP



ID	MODEL	PART
1	SC-13P2	8MM WING NUT
2	GP-4193	WING NUT/BOLT ASSEMBLY FOR PLATFORM MOUNT
3	GP-4192	C CLAMP FOR PLATFORM MOUNT
4	GPR005	8MM HEX NUT
5	SC-SPCM	UPPER PLATFORM MOUNT
6	GP-4164	1" MEMORY LOCK ASSEMBLY
7	GP-4166	WING NUT/SHORT BOLT SET
8	GP-4165	1" NYLON INNER BUSHING (NOT SHOWN)
9	GP-4186	6700 LOWER BASE ASSEMBLY
10	SC-0009	WING BOLT
11	SC-PC10	RUBBER FOOT

MODEL	DESCRIPTION
6713SP	6000 SERIES SINGLE TOM STAND