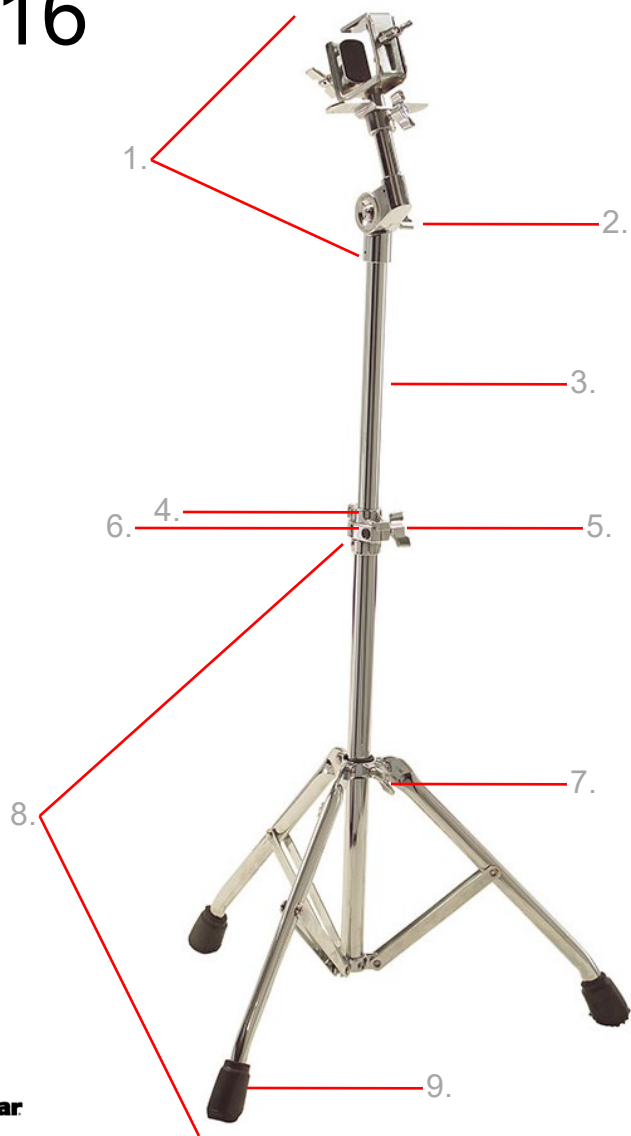


# 7716



ID	MODEL	PART
1	GP-2090	BONGO MOUNTING ASSEMBLY
2	GP-4136	WING NUT/BOLT ASSEMBLY
3	GP-6314	7/8" DIAMETER MID TUBE ASSEMBLY
4	GP-6049	7/8 INCH FITTED MEMORY LOCK
5	GP-6276	GIB WING NUT/ BOLT ASSEMBLY
6	GP-6048	7/8" NYLON INNER SLEEVE
7	SC-0009	8MM WING BOLT
8	GP-6312	LOWER BASE ASSEMBLY
9	SC-PC08	RUBBER FEET

MODEL	DESCRIPTION
7716	7000 SERIES BONGO STAND



# 6716

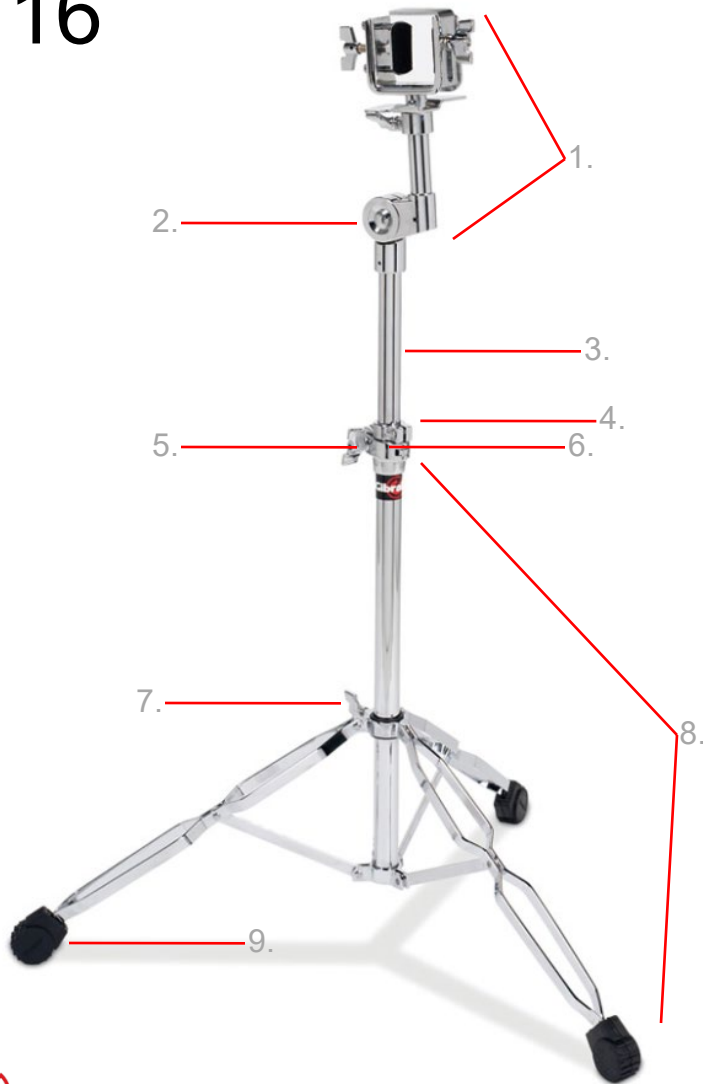


ID	MODEL	PART
1	GP-2090	BONGO MOUNTING ASSEMBLY
2	GP-2086	MID TUBE ASSEMBLY
3	GP-4164	1 INCH FITTED MEMORY LOCK
4	GP-4166	WING NUT/SHORT BOLT SET
5	GP-4165	1" NYLON INNER BUSHING
6	SC-0009	8MM WING BOLT
7	GP-4186	LOWER BASE ASSEMBLY
8	SC-PC10	RUBBER FEET

MODEL	DESCRIPTION
6716	7000 SERIES BONGO STAND



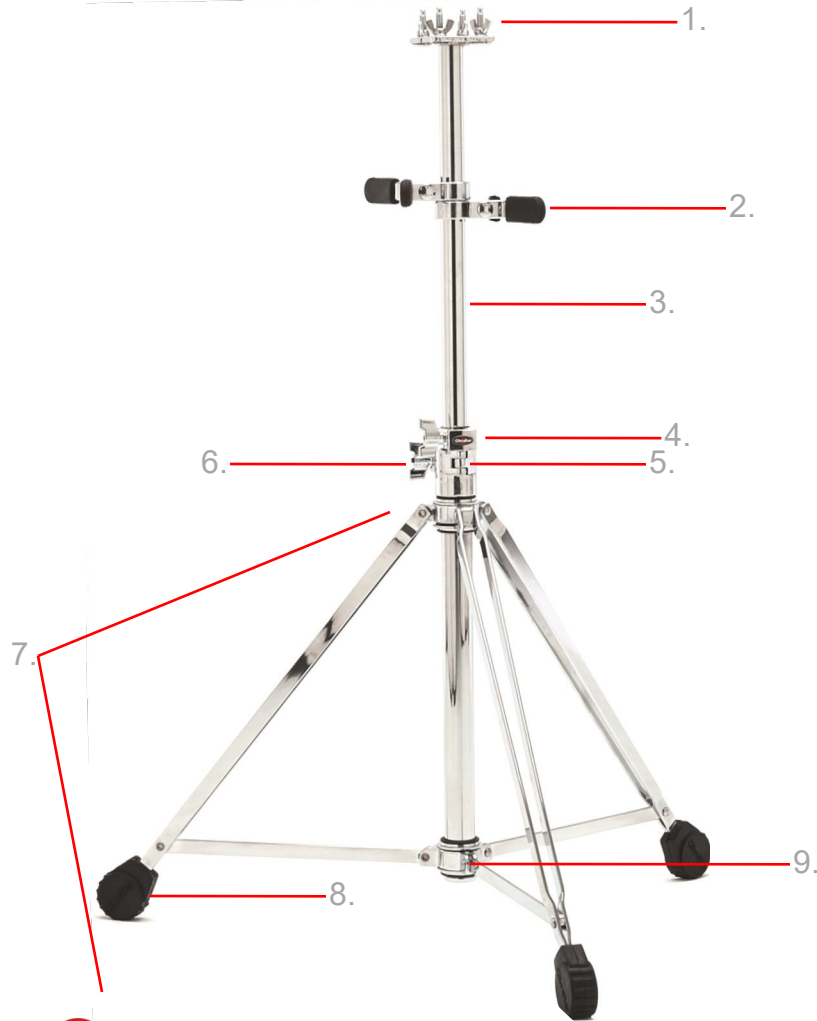
# 5716



ID	MODEL	PART
1	GP-2090	BONGO MOUNTING ASSEMBLY
2	GP-4136	WING NUT/BOLT ASSEMBLY (NOT SHOWN)
3	GP-6314	7/8" DIAMETER MID TUBE ASSEMBLY
4	GP-6049	7/8 INCH FITTED MEMORY LOCK
5	GP-6276	GIB WING NUT/ BOLT ASSEMBLY
6	GP-6048	7/8" NYLON INNER SLEEVE
7	SC-0009	8MM WING BOLT
8	GP-6058	LOWER BASE ASSEMBLY
9	GP-6241	RUBBER FEET

MODEL	DESCRIPTION
5716	7000 SERIES BONGO STAND

# 9517



ID	MODEL	PART
1	GP-2095	TOP WING NUT W/WASHER
2	GP-2093	CONGA SHELL SUPPORT
3	GP-2086	UPPER SHAFT
4	GP-6164	1" FITTED MEMORY LOCK
5	GP-2002	1" INNER BUSHING
6	GP-5117	BOLT SET, LONG
7	SC-6082	LOWER BASE ASSEMBLY
8	SC-PC09	RUBBER FOOT
9	SC-0009	8MM WING BOLT (NOT SHOWN)

MODEL	DESCRIPTION
9517	9000 SERIES DOUBLE CONGA STAND



# GCS-L

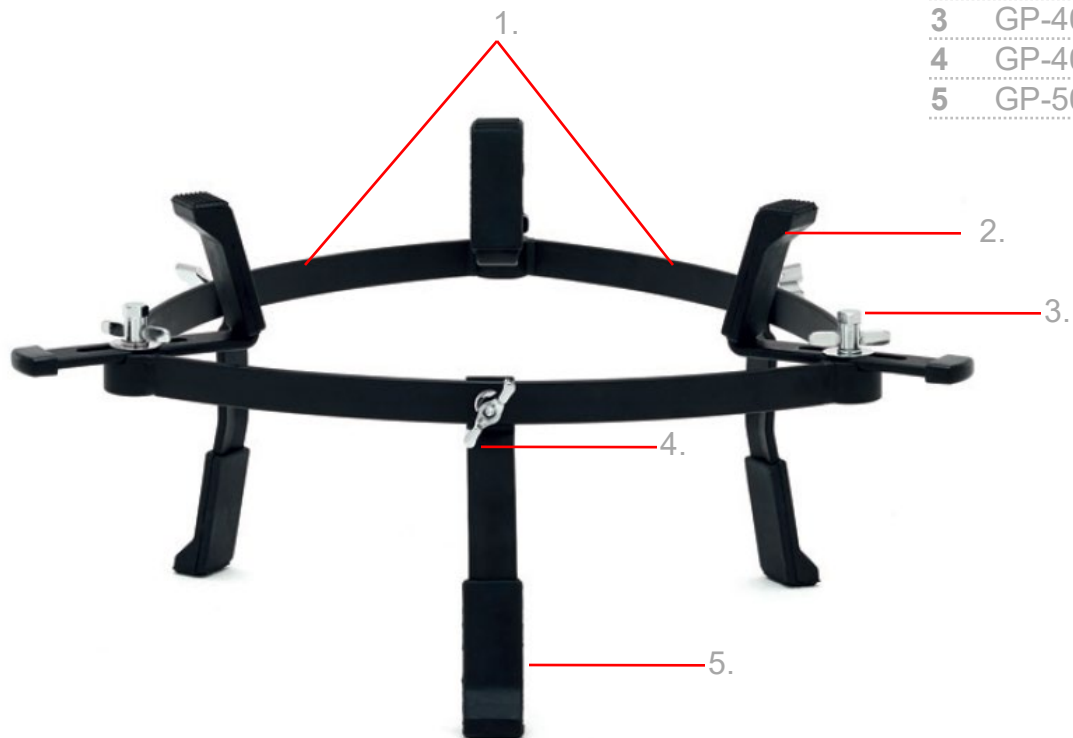


ID	MODEL	PART
1	GP-5035	SLOT MOUNT CONGA SUPPORT, CHROME
2	GP-4083	WING T-BOLT W/WASHER
3a	GP-3001	UPPER STAND ASSEMBLY FOR GCS-M
3b	GP-3002	UPPER STAND ASSEMBLY FOR GCS-L
4	GP-2097	HEIGHT ADJUST BOLT KIT
5	GP-4085	LEG BRACE BOLT KIT
6	GP-4087	LEG BRACE ASSEMBLY COMPLETE
7a	GP-4088	LONG LEG W/RUBBER FOOT
7b	GP-4089	SHORT LEG W/RUBBER FOOT (NOT PICTURED)

MODEL	DESCRIPTION
GCS-L	CONGA CRADLE



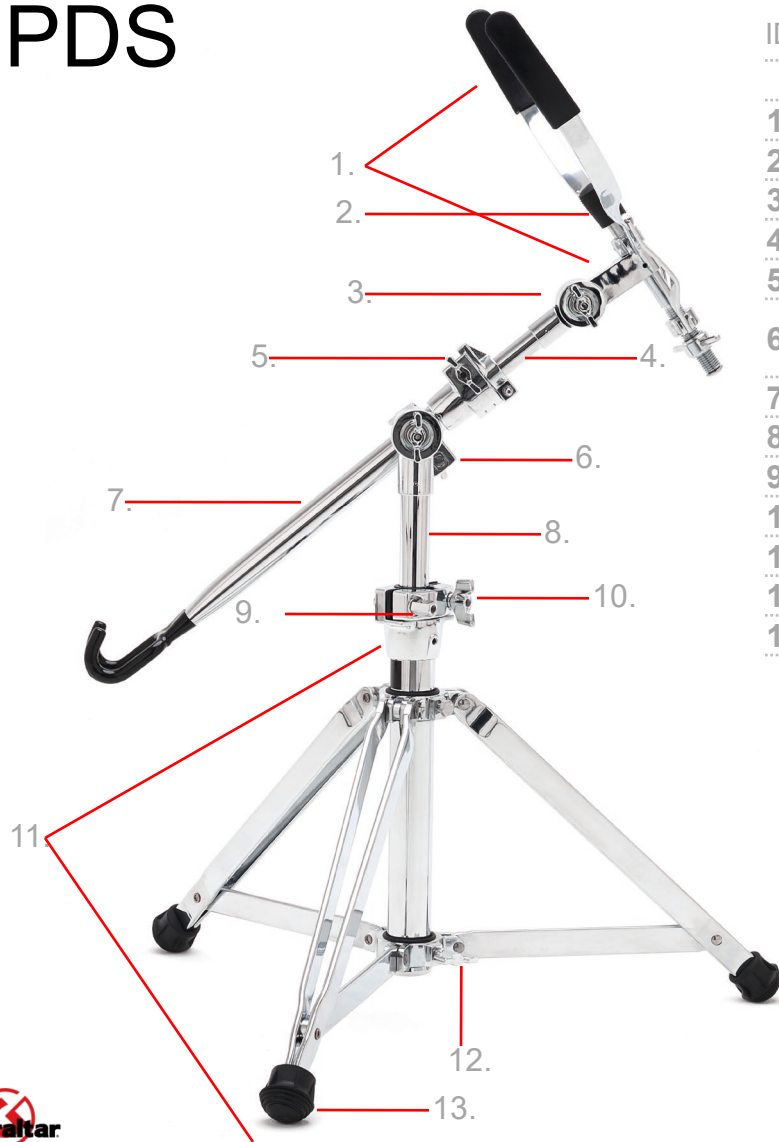
# GCS-LSP



ID	MODEL	PART
1	GP-5038	UPPER STAND ASSEMBLY
2	GP-5036	SLOT MOUNT CONGA SUPPORT, BLACK
3	GP-4083	WING T-BOLT W/WASHER
4	GP-4085	LEG BRACE BOLT KIT
5	GP-5039	LEG W/RUBBER SLEEVE

MODEL	DESCRIPTION
GCS-LSP	LOW SEATED CONGA CRADLE

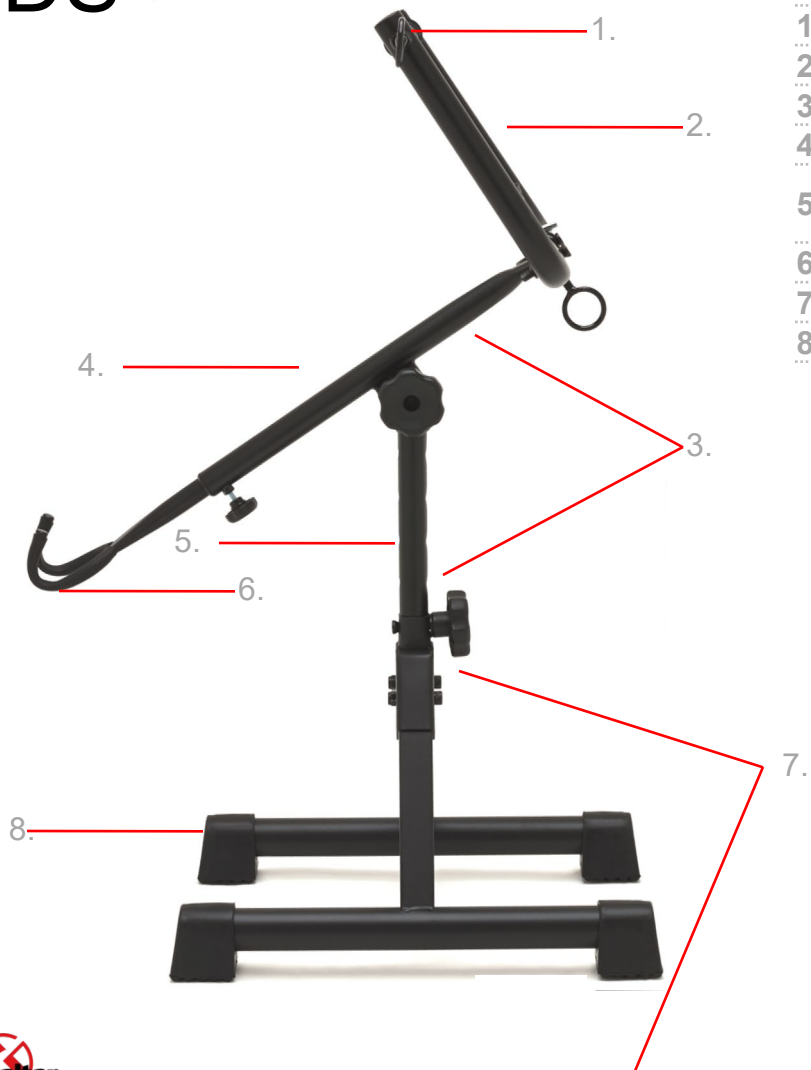
# GPDS



ID	MODEL	PART
1	GP-5230	UPPER BASKET SUPPORT
2	GP-6407	RUBBER BASKET SLEEVES FOR GPDS
3	GP-4042	TILTER RACHET HARDWARE
4	GP-4043	BASKET SHAFT
5	GP-6030	WING/SHORT BOLT SET 6MM
6	GP-4091	2 POINT BOOM ADJUST MECHANISM (LARGE)
7	GP-5231	LOWER DJEMBE SUPPORT TUBE
8	GP-2016	UPPER SHAFT
9	GPR005	8MM HEX NUT
10	GP-6283	8MM WING BOLT
11	GP-5232	LOWER BASE ASSEMBLY
12	SC-0009	8MM WING BOLT
13	GP-6406	RUBBER ROUND FOOT FOR GPDS

MODEL	DESCRIPTION
GPDS	GIBRALTAR PRO DJEMBE STAND

# GDS



ID	MODEL	PART
1	GP-6405	RUBBER SHELL SUPPORT KNOB
2	GP-5040	DRUM SUPPORT ARM
3	GP-5041	FILTER BOOM ASSEMBLY COMPLETE
4	GP-5041A	VERTICAL T-ARM ONLY
5	GP-5041B	HEIGHT ADJUST TUBE W/TENSION KNOB
6	GP-5249	EXTENSION SUPPORT ARM
7	GP-5080	BASE ASSEMBLY COMPLETE
8	SC-RF	RUBBER FOOT

MODEL	DESCRIPTION
GDS	GIBRALTAR DJEMBE STAND

