

# 8706

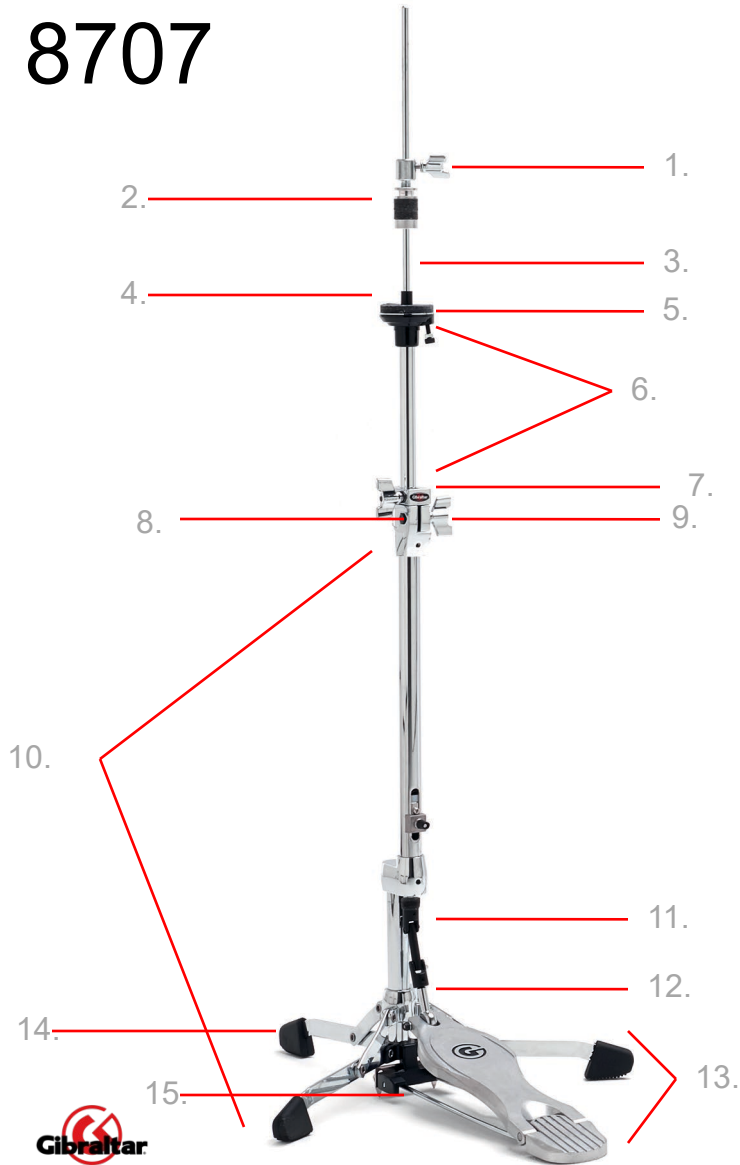


ID	MODEL	PART
1	GP-4135	SNARE BASKET FOR 8700 SERIES
2	GP-6203	RUBBER SLEEVE
3	GP-4136	WING NUT/BOLT ASSEMBLY
4	GP-6200	NYLON WING NUT
5	GP-6082	UPPER SNARE STAND TUBE W/ GEAR ASSEMBLY
6	GP-4214	5/8" NYLON INNER BUSHING
7	GP-6276	WING/SHORT BOLT SET
8	GP-4216	LOWER TRIPOD BASE ASSEMBLY FOR 8706
9	SC-0009	WING BOLT
10	GP-6024	RUBBER FOOT

MODEL	DESCRIPTION
8706	8700 SERIES SNARE STAND



# 8707

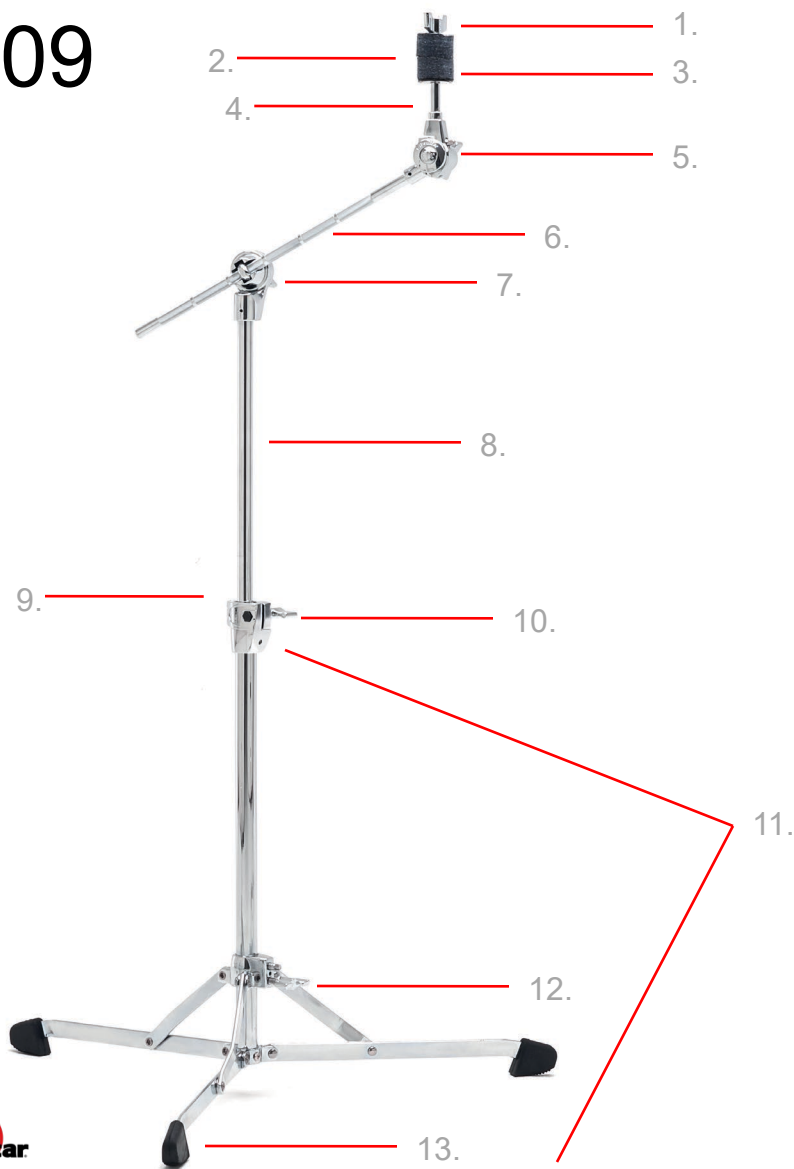


ID	MODEL	PART
1	GP-4107	WING BOLT/NUT ASSEMBLY
2	SC-4421D	HI-HAT CLUTCH
3	GP-0016	UPPER PULL ROD
4	SC-HF2	CUP FELT
5	GP-4000	FLAT METAL WASHER
6	GP-6021	UPPER TUBE W/ CUP
7	GP-4219	5/8" MEMORY LOCK
8	GP-4215	5/8" NYLON INNER BUSHING (NOT SHOWN)
9	GP-4104	WING/SHORT BOLT SET
10	GP-4220	LOWER BASE ASSEMBLY COMPLETE W/ PEDAL
11	GP-4221	U-JOINT SHAFT
12	GP-4177	PULL ROD ASSEMBLY
13	GP-4178	HINGED PEDAL BOARD COMPLETE
14	GP-6024	RUBBER FOOT
15	GP-4222	RADIUS ROD COMPLETE
16	GP-4223	BLOCK PLATE (NOT SHOWN)
17	GP-4224	BOLT ASSEMBLY FOR BLOCK PLATE (NOT SHOWN)

MODEL	DESCRIPTION
8707	8700 SERIES HI HAT STAND



# 8709



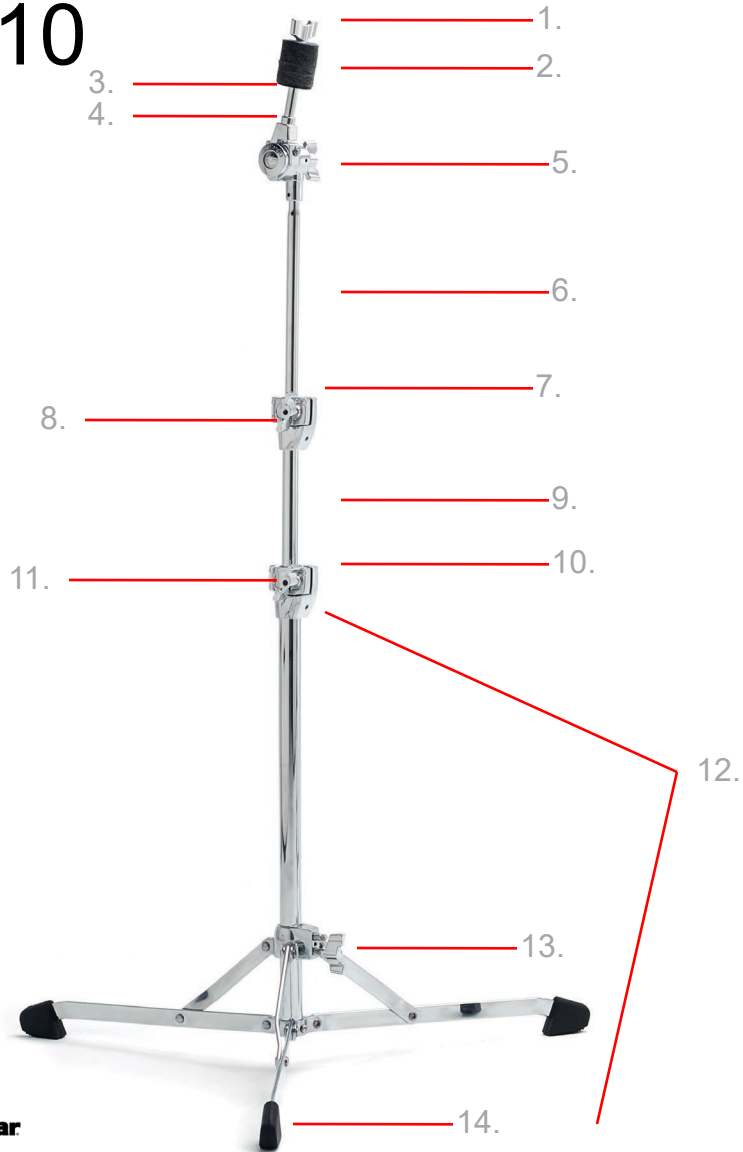
ID	MODEL	PART
1	SC-13P2	WING NUT
2	SC-CFL/4	CYMBAL FELT
3	GP-4001	CYMBAL DISC
4	GP-6084	BRAKE TILTER TOP
5	GP-4180	BRAKE TILTER WING NUT/BOLT SET
6	GP-4225	10.5MM KNURLED BOOM ARM
7	GP-4226	WING NUT / BOLT ASSEMBLY
8	GP-6091	5/8" UPPER HEIGHT ADJUST TUBE
9	GP-4215	5/8" NYLON INNER BUSHING
10	GP-4166	WING NUT/SHORT BOLT SET
11	GP-4228	LOWER BASE ASSEMBLY
12	SC-0009	WING BOLT
13	GP-6024	RUBBER FOOT

MODEL	DESCRIPTION
8709	8700 SERIES CYMBAL BOOM STAND



## 8000 SERIES STANDS

# 8710



ID	MODEL	PART
1	SC-13P2	WING NUT
2	SC-CFL/4	CYMBAL FELT
3	SC-19A	CYMBAL SLEEVE
4	GP-6084	BRAKE TILTER TOP
5	GP-4180	BRAKE TILTER WING NUT/BOLT SET
6	GP-6088	UPPER HEIGHT ADJUST TUBE
7	GP-6089	NYLON INNER SLEEVE 1/2"
8	GP-4166	WING/SHORT BOLT SET
9	GP-4229	MIDDLE TUBE W/ JOINT ASSEMBLY
10	GP-4215	NYLON INNER SLEEVE 5/8"
11	GP-4149	WING NUT/BOLT ASSEMBLY
12	GP-4228	LOWER BASE ASSEMBLY
13	SC-0009	WING BOLT
14	GP-6024	RUBBER FOOT

MODEL	DESCRIPTION
8710	8700 SERIES STRAIGHT CYMBAL STAND



# 8713UA



ID	MODEL	PART
1	GP-0072	RUBBER SLEEVE
2	GP-4287	COMPLETE UPPER SNARE BASKET
3	GP-4288	ULTRA ADJUST BALL JOINT T HANDLE SCREW
4	GP-4289	LOWER BASE ASSEMBLY
5	SC-0009	8mm WING BOLT
6	GP-6024	RUBBER FOOT



MODEL	DESCRIPTION
8713UA	8700 SERIES ULTRA ADJUST TOM/SNARE STAND