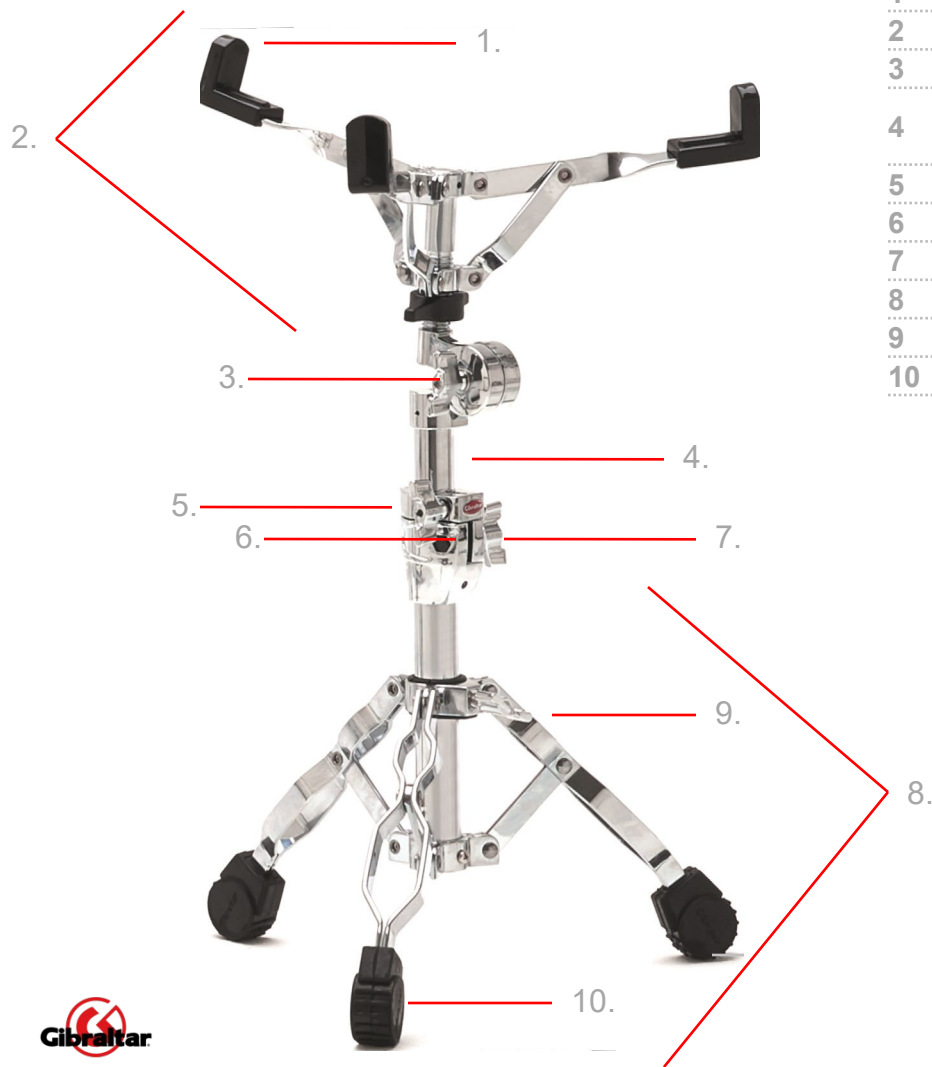


6706

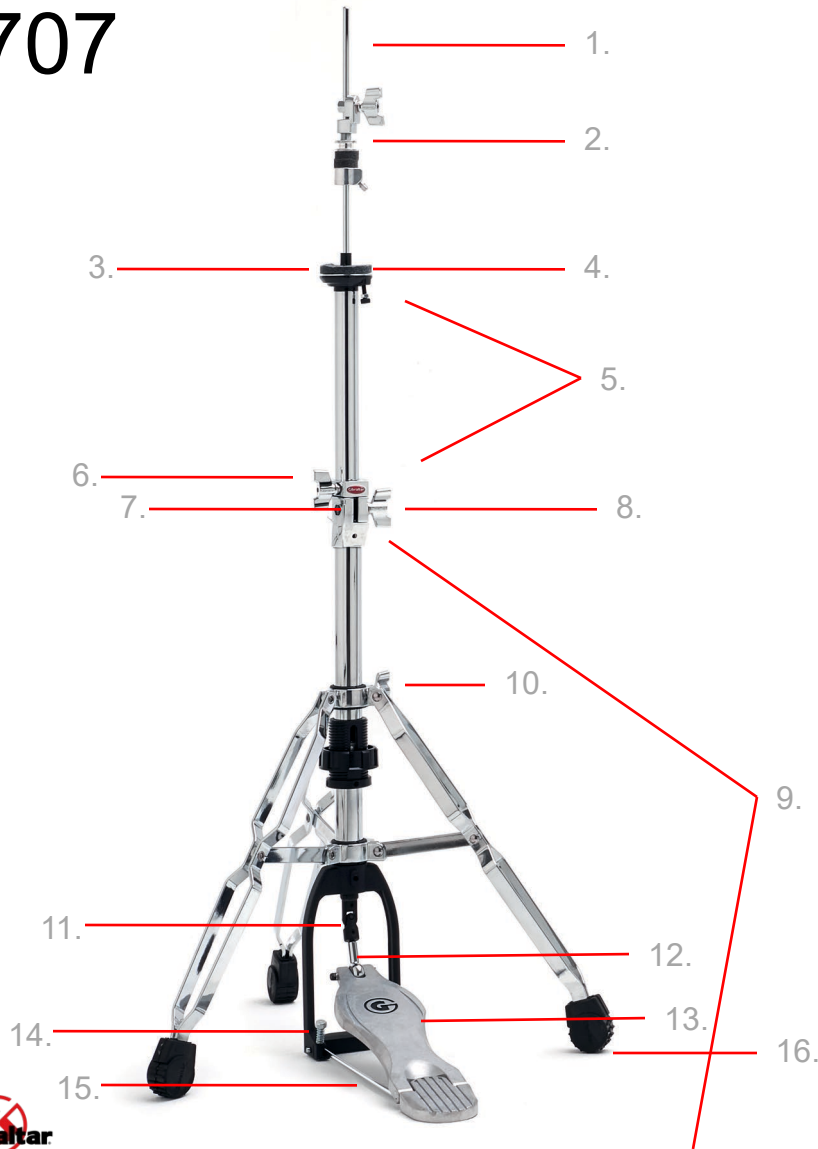


ID	MODEL	PART
1	GP-0072	RUBBER SLEEVE
2	GP-4161	SNARE BASKET
3	GP-4162	WING NUT/BOLT ASSEMBLY
4	GP-4163	UPPER SNARE STAND TUBE W/ GEAR ASSEMBLY
5	GP-4164	1" MEMORY LOCK ASSEMBLY
6	GP-4165	1" NYLON INNER BUSHING
7	GP-4166	WING NUT/SHORT BOLT SET
8	GP-4167	LOWER TRIPOD BASE ASSEMBLY
9	SC-0009	WING BOLT
10	SC-PC10	RUBBER FOOT

MODEL	DESCRIPTION
6706	6700 SERIES SNARE STAND



6707



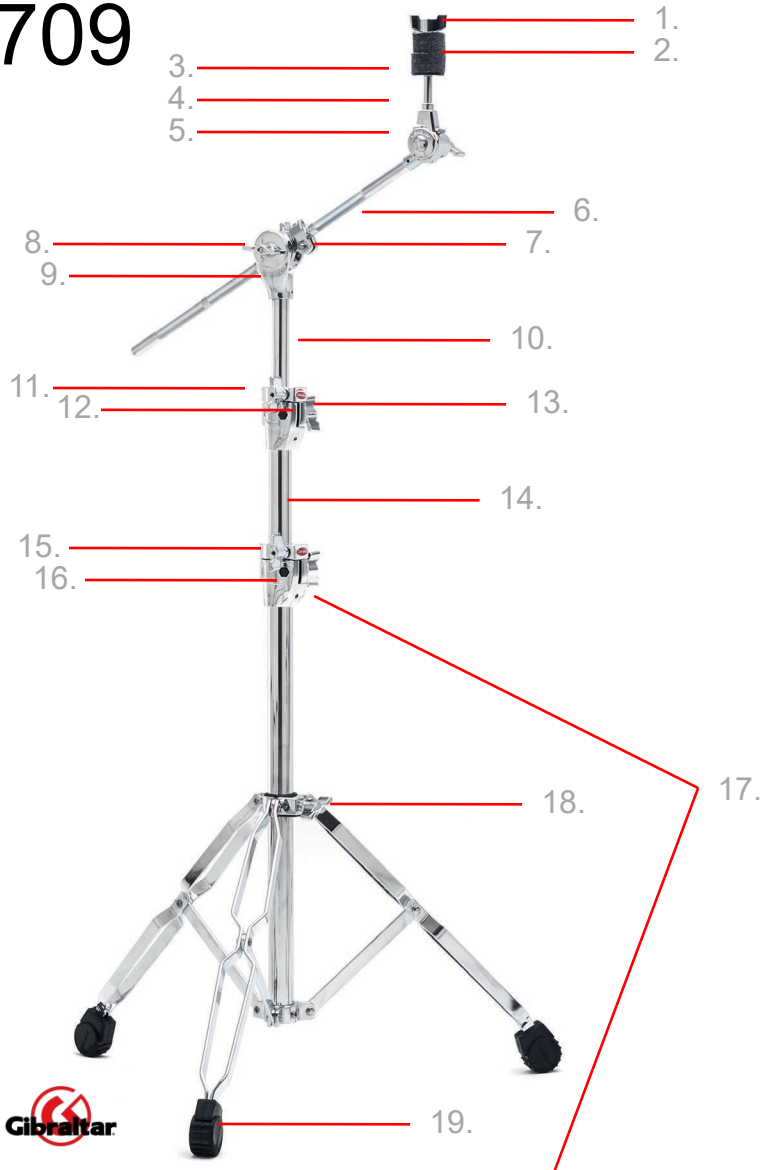
ID	MODEL	PART
1	GP-0016	UPPER PULL ROD
2	SC-4420S	HI-HAT CLUTCH
3	SC-HF2	CUP FELT
4	SC-1655	FLAT METAL WASHER
5	GP-4175	1" UPPER TUBE WITH HI HAT CUP
6	GP-4164	1" MEMORY LOCK ASSEMBLY
7	GP-4165	1" NYLON INNER BUSHING
8	GP-6276	WING NUT/SHORT BOLT SET
9	GP-4176	LOWER BASE ASSEMBLY COMPLETE W/ PEDAL BOARD
10	SC-0009	WING BOLT
11	GP-5010	U-JOINT ASSEMBLY
12	GP-4177	PULL ROD
13	GP-4178	HINGED PEDAL BOARD COMPLETE
14	GP-0020	SPIKE
15	GP-0021	RADIUS ROD COMPLETE
16	SC-PC10	RUBBER FOOT

MODEL	DESCRIPTION
6707	6700 SERIES HI HAT STAND



6000 SERIES STANDS

6709



ID	MODEL	PART
1	SC-13P2	WING NUT
2	SC-CFL/4	CYMBAL FELT
3	SC-19A	CYMBAL SLEEVE
4	GP-6084	BRAKE TILTER TOP
5	GP-4180	BRAKE TILTER WING NUT/BOLT SET
6	GP-4181	KNURLED BOOM ARM
7	SC-HML127	12.7MM HINGED MEMORY LOCK
8	GP-4147	TILTER WING NUT / BOLT
9	GP-4148	TILTER ASSEMBLY
10	GP-6093	3/4" UPPER HEIGHT ADJUST TUBE
11	GP-4183	3/4" MEMORY LOCK ASSEMBLY
12	GP-4184	3/4" NYLON INNER BUSHING (NOT SHOWN)
13	GP-4166	WING NUT/SHORT BOLT SET
14	GP-4185	MIDDLE TUBE W/ JOINT ASSEMBLY
15	GP-4164	1" MEMORY LOCK ASSEMBLY
16	GP-4165	1" NYLON INNER BUSHING
17	GP-4186	LOWER BASE ASSEMBLY
18	SC-0009	WING BOLT
19	SC-PC10	RUBBER FOOT



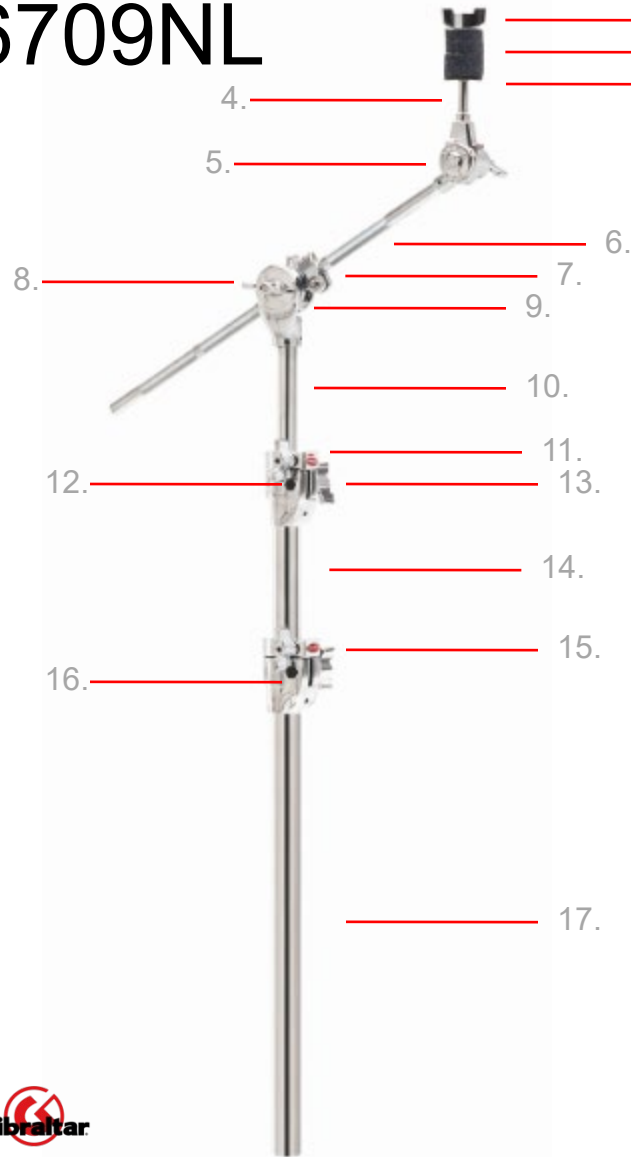
MODEL

DESCRIPTION

6709

6700 SERIES CYMBAL BOOM STAND₃

6709NL



ID	MODEL	PART
1	SC-13P2	WING NUT
2	SC-CFL/4	CYMBAL FELT
3	SC-19A	CYMBAL SLEEVE
4	GP-6084	BRAKE TILTER TOP
5	GP-4180	BRAKE TILTER WING NUT/BOLT SET
6	GP-4181	KNURLED BOOM ARM
7	SC-HML127	12.7MM HINGED MEMORY LOCK
8	GP-4147	TILTER WING NUT / BOLT ASSEMBLY
9	GP-4148	TILTER ASSEMBLY
10	GP-6093	3/4" UPPER HEIGHT ADJUST TUBE
11	GP-4183	3/4" MEMORY LOCK ASSEMBLY
12	GP-4184	3/4" NYLON INNER BUSHING
13	GP-4166	WING NUT/SHORT BOLT SET
14	GP-4185	MIDDLE TUBE W/ JOINT ASSEMBLY
15	GP-4164	1" MEMORY LOCK ASSEMBLY
16	GP-4165	1" NYLON INNER BUSHING
17	GP-4253	LEGLSS BASE TUBE

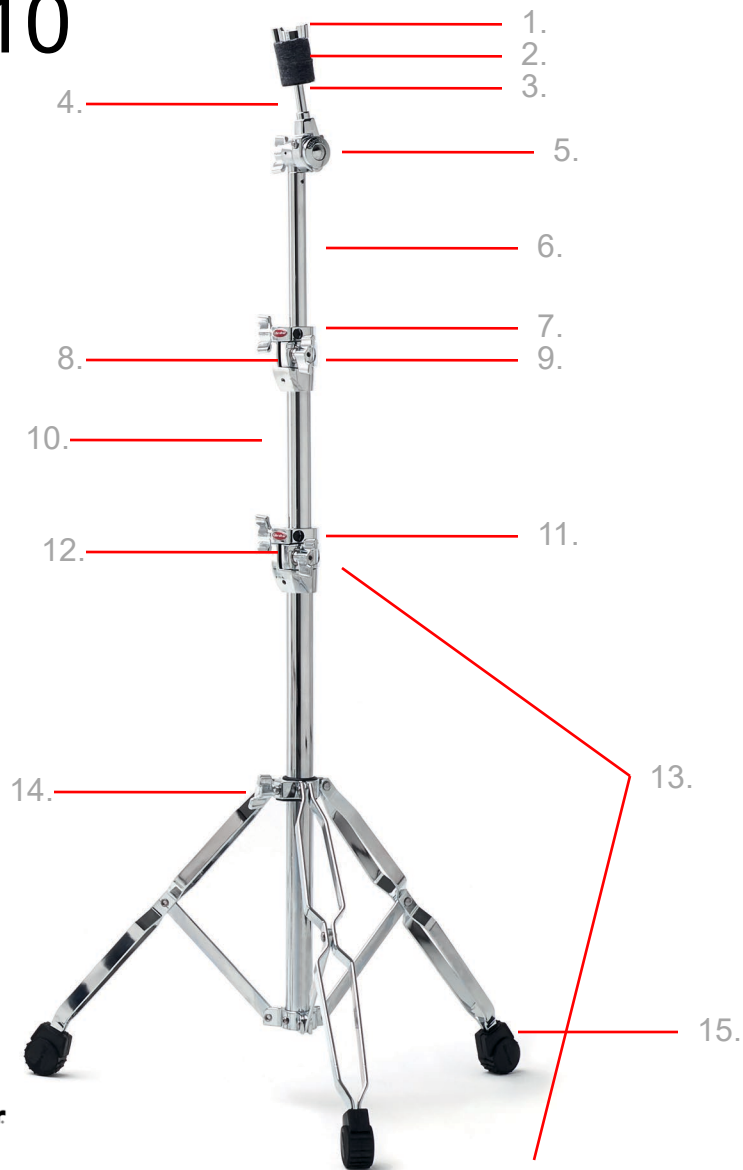
MODEL

DESCRIPTION

6709NL

6700 SERIES NO LEG CYMBAL BOOM STAND

6710



ID	MODEL	PART
1	SC-13P2	WING NUT
2	SC-CFL/4	CYMBAL FELT
3	SC-19A	CYMBAL SLEEVE
4	GP-6084	BRAKE TILTER TOP
5	GP-4180	BRAKE TILTER WING NUT/BOLT SET
6	GP-4191	UPPER HEIGHT ADJUST TUBE
7	GP-4183	3/4" MEMORY LOCK ASSEMBLY
8	GP-4184	3/4" NYLON INNER BUSHING
9	GP-4166	WING NUT/SHORT BOLT SET
10	GP-4185	MIDDLE TUBE W/ JOINT ASSEMBLY
11	GP-4164	1" MEMORY LOCK ASSEMBLY
12	GP-4165	1" NYLON INNER BUSHING
13	GP-4186	LOWER BASE ASSEMBLY
14	SC-0009	WING BOLT
15	SC-PC10	RUBBER FOOT

MODEL	DESCRIPTION
6710	6700 SERIES STRAIGHT CYMBAL STAND

