

5706

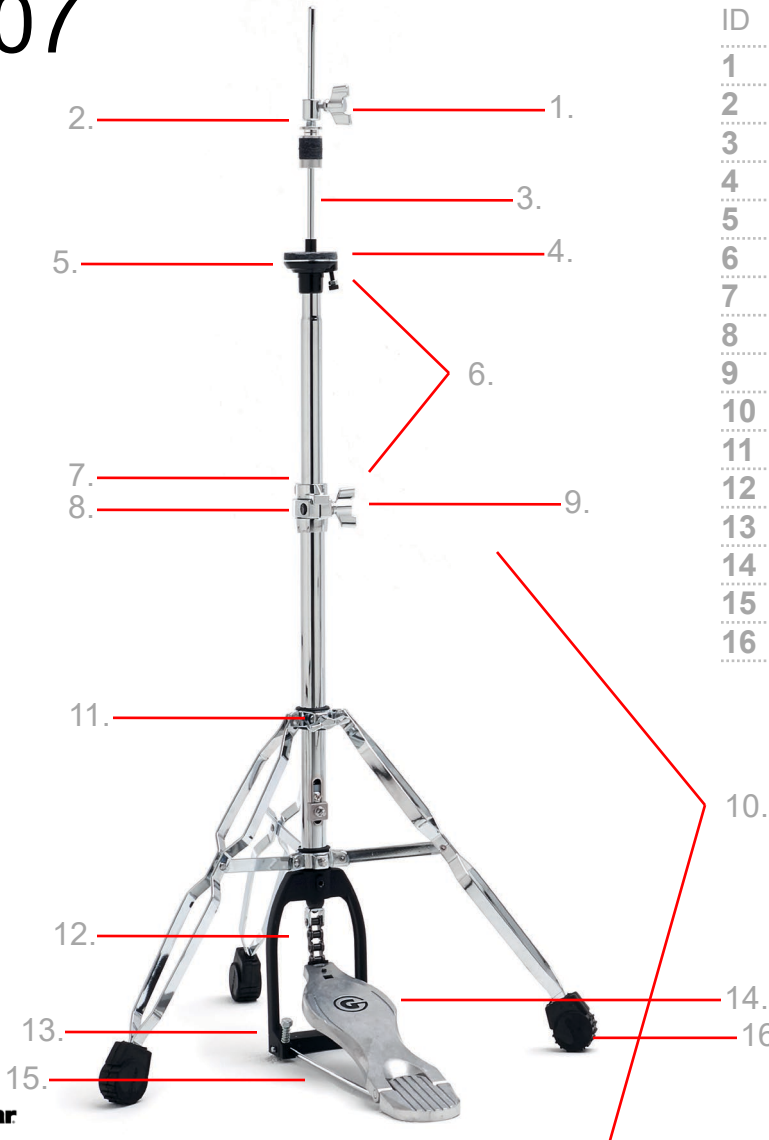


ID	MODEL	PART
1	GP-6203	RUBBER SLEEVE
2	GP-6218	SNARE BASKET
3	GP-4136	WING NUT/BOLT ASSEMBLY
4	GP-6200	NYLON WING NUT
5	GP-4137	UPPER SNARE STAND TUBE W/ GEAR ASSEMBLY
6	GP-6215	NYLON INNER SLEEVE 7/8"
7	GP-6276	WING/SHORT BOLT SET
8	GP-4138	LOWER TRIPOD BASE ASSEMBLY
9	SC-009	WING BOLT
10	GP-4139	RUBBER FOOT

MODEL	DESCRIPTION
5706	5700 SERIES CYMBAL BOOM STAND



5707

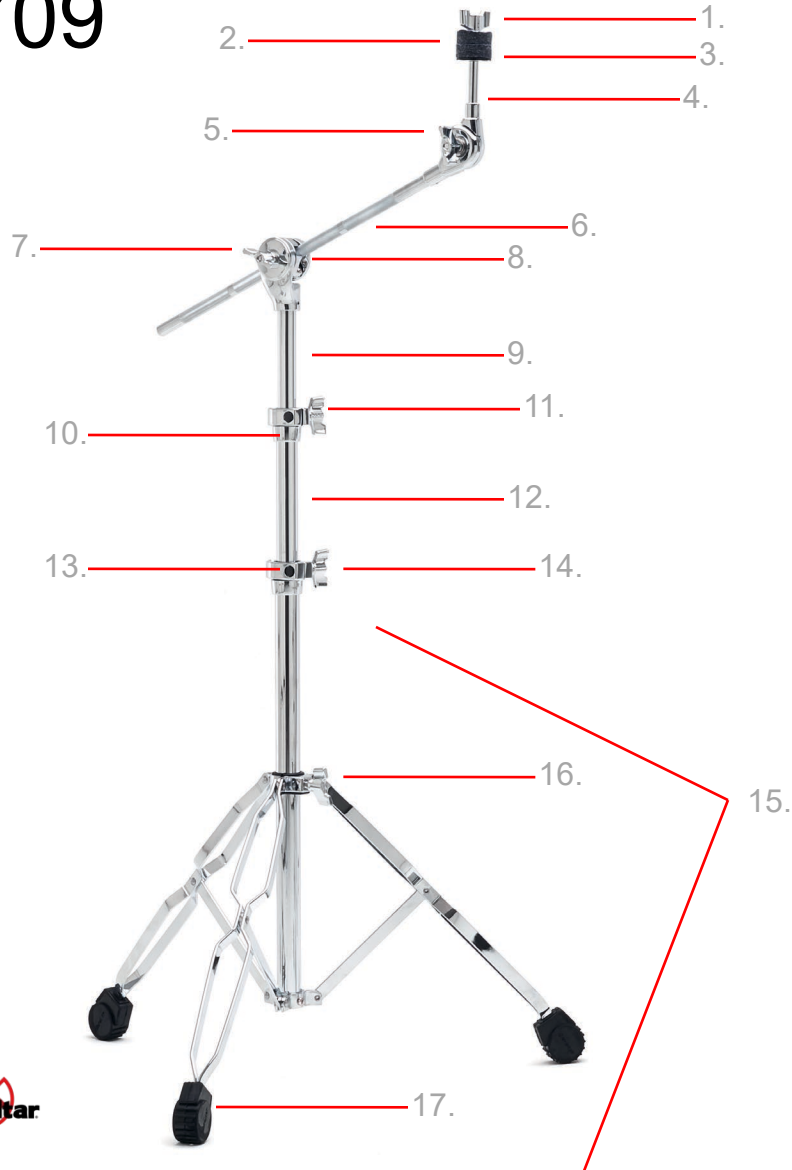


ID	MODEL	PART
1	GP-4107	WING BOLT
2	SC-4421D	HI-HAT CLUTCH
3	GP-4200	UPPER PULL ROD
4	SC-HF2	CUP FELT
5	SC-1655	FLAT METAL WASHER
6	GP-6047	UPPER TUBE W/ CUP
7	GP-6049	MEMORY LOCK
8	GP-6215	7/8" NYLON INNER SLEEVE
9	GP-6276	WING/SHORT BOLT SET
10	GP-4143	LOWER BASE ASSEMBLY COMPLETE W/ PEDAL
11	SC-009	WING BOLT
12	GP-6032	HI-HAT CHAIN
13	GP-0020	SPIKE
14	GP-4145	HINGED PEDAL BOARD COMPLETE
15	GP-0021	RADIUS ROD COMPLETE
16	GP-4139	RUBBER FOOT

MODEL	DESCRIPTION
5707	5700 SERIES HI HAT STAND



5709

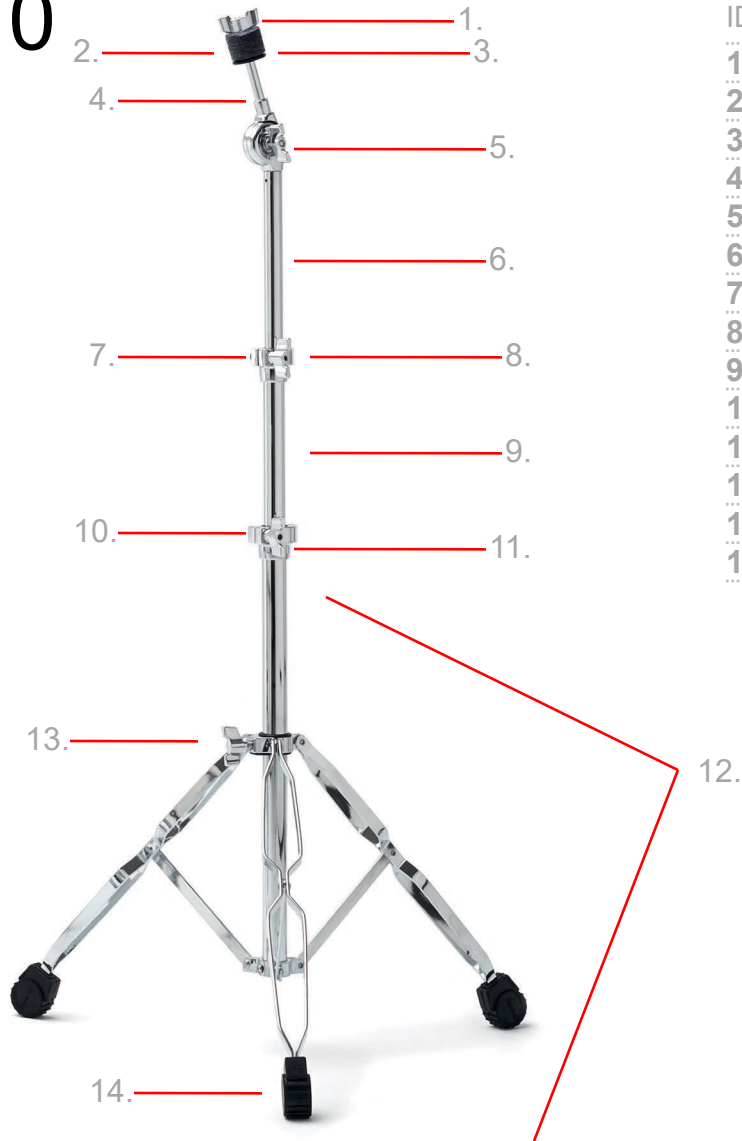


ID	MODEL	PART
1	SC-13P2	WING NUT
2	SC-CFS/4	SMALL CYMBAL FELT
3	SC-19B	CYMBAL SLEEVE
4	GP-4146	GEAR ASSEMBLY
5	GP-6055	WING NUT / BOLT ASSEMBLY
6	GP-6056	KNURLED BOOM ARM
7	GP-6068	HEX BOLT/ WING NUT ASSEMBLY
8	GP-4148	TILTER ASSEMBLY
9	GP-6093	UPPER HEIGHT ADJUST TUBE
10	GP-6081	3/4" NYLON INNER SLEEVE
11	GP-6229	WING/SHORT BOLT SET
12	GP-6060	MIDDLE TUBE W/ JOINT ASSEMBLY
13	GP-6048	5/8" NYLON INNER SLEEVE
14	GP-6276	WING/SHORT BOLT SET
15	GP-6058	LOWER BASE ASSEMBLY
16	SC-009	WING BOLT
17	GP-4139	RUBBER FOOT

MODEL	DESCRIPTION
5709	5700 SERIES CYMBAL BOOM STAND



5710



ID	MODEL	PART
1	SC-13P2	WING NUT
2	SC-CFS/4	SMALL CYMBAL FELT
3	SC-19B	CYMBAL DISK
4	GP-4146	CYMBAL TILTER ASSEMBLY
5	GP-4113	WING NUT/BOLT ASSEMBLY
6	GP-6059	UPPER HEIGHT ADJUST TUBE
7	GP-6081	3/4" NYLON INNER SLEEVE
8	GP-6229	WING/SHORT BOLT SET
9	GP-6060	MIDDLE TUBE W/ JOINT ASSEMBLY
10	GP-6048	5/8" NYLON INNER SLEEVE
11	GP-6276	WING/SHORT BOLT SET
12	GP-6058	LOWER BASE ASSEMBLY
13	SC-009	WING BOLT
14	GP-4139	RUBBER FOOT

MODEL	DESCRIPTION
5710	5700 SERIES STRAIGHT CYMBAL STAND

