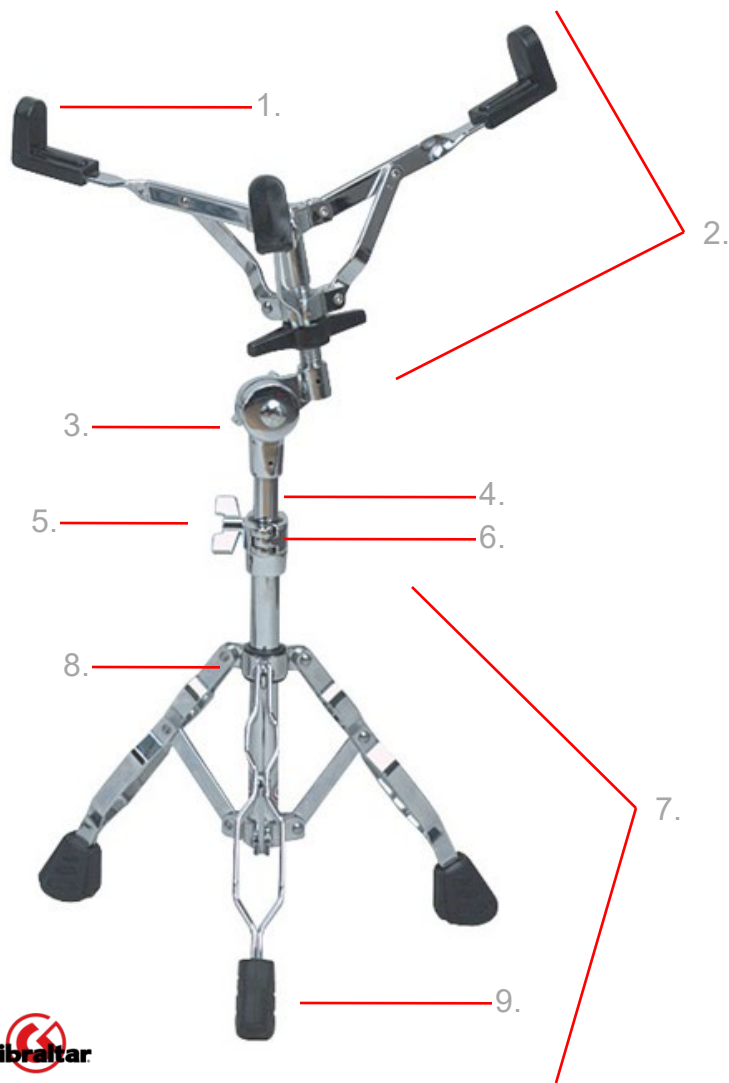


# 4706

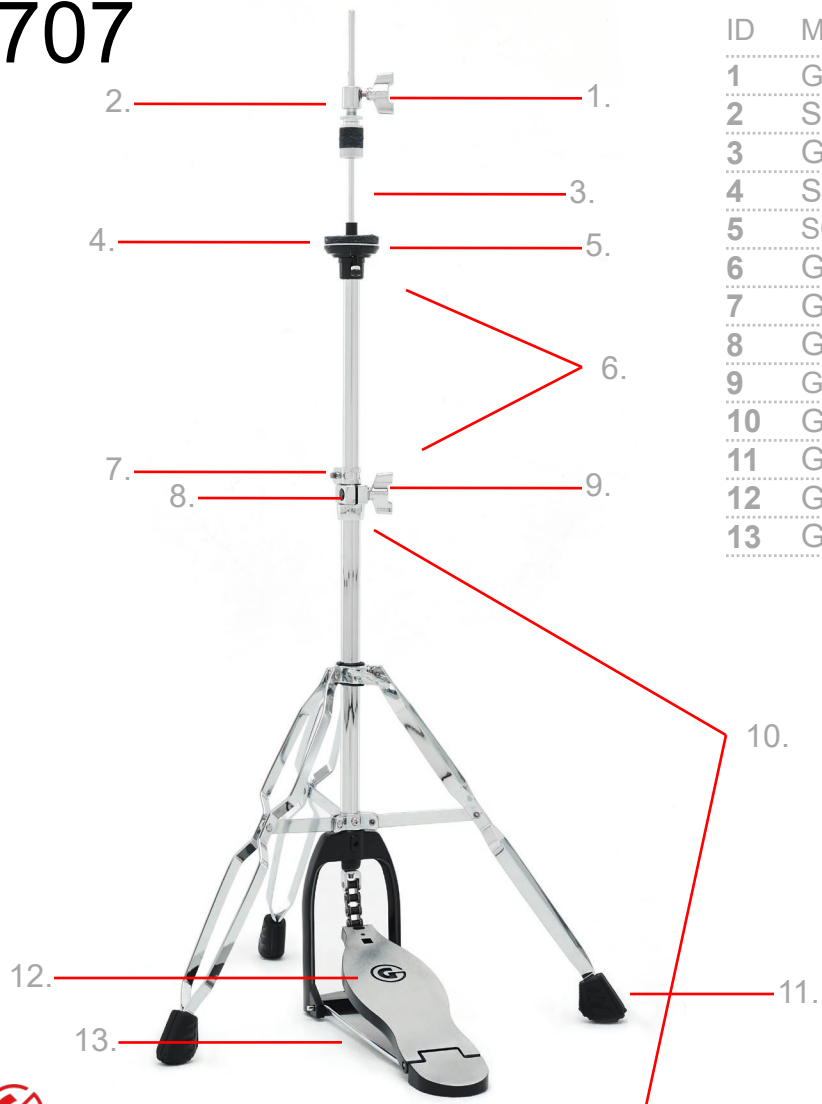


ID	MODEL	PART
1	GP-6203	RUBBER SLEEVE
2	GP-4101	SNARE BASKET
3	GP-4102	WING NUT/BOLT ASSEMBLY
4	GP-4103	UPPER SNARE STAND TUBE W/ GEAR ASSEMBLY
5	GP-6276	WING/SHORT BOLT SET
6	GP-4105	5/8" NYLON INNER SLEEVE
7	GP-4106	LOWER TRIPOD BASE ASSEMBLY
8	SC-0009	WING BOLT
9	GP-4100	RUBBER FOOT

MODEL	DESCRIPTION
4706	4700 SERIES SNARE STAND



# 4707



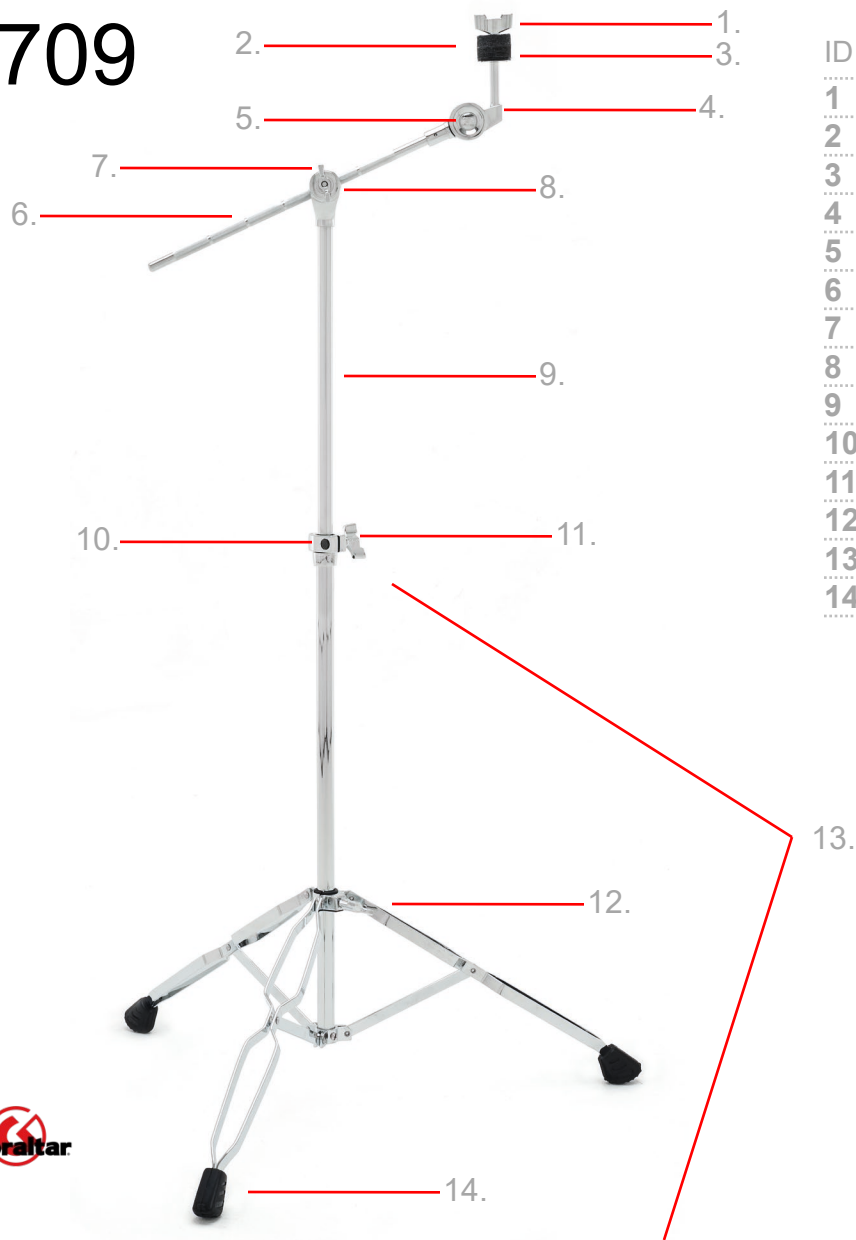
ID	MODEL	PART
1	GP-4107	WING NUT
2	SC-4421D	HI-HAT CLUTCH
3	GP-4200	UPPER PULL ROD
4	SC-HF2	CUP FELT
5	SC-1655	FLAT METAL WASHER
6	GP-4108	UPPER TUBE WITH BOTTOM HI HAT CUP
7	GP-4219	5/8" MEMORY LOCK
8	GP-4105	5/8" NYLON INNER BUSHING
9	GP-6276	WING/SHORT BOLT SET
10	GP-4109	LOWER BASE ASSEMBLY COMPLETE W/ PEDAL
11	GP-4100	RUBBER FOOT
12	GP-4110	HINGED PEDAL BOARD COMPLETE
13	GP-4111	RADIUS ROD COMPLETE

MODEL	DESCRIPTION
4707	4700 SERIES HI HAT STAND



## 4000 SERIES STANDS

# 4709

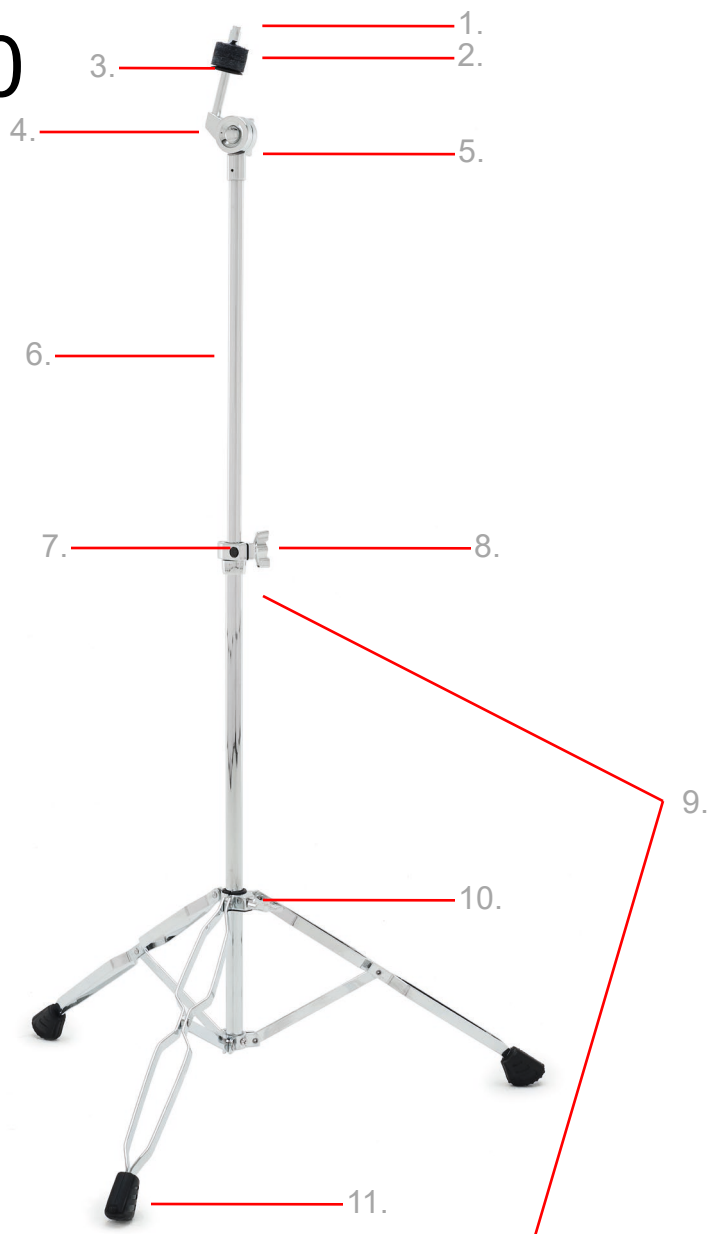


ID	MODEL	PART
1	SC-13P2	WING NUT
2	SC-CFS/4	SMALL CYMBAL FELT
3	SC-19B	CYMBAL SLEEVE
4	GP-4112	CYMBAL TILTER ASSEMBLY
5	GP-4113	WING NUT / BOLT ASSEMBLY
6	GP-4114	KNURLED BOOM ARM
7	GP-4115	HEX BOLT/ WING NUT ASSEMBLY
8	GP-4116	LOCKING RING
9	GP-4117	UPPER HEIGHT ADJUST TUBE
10	GP-4105	5/8" NYLON INNER BUSHING
11	GP-6276	WING/SHORT BOLT SET
12	SC-0009	WING BOLT
13	GP-4118	LOWER BASE ASSEMBLY
14	GP-4100	RUBBER FOOT

MODEL	DESCRIPTION
4709	4700 SERIES CYMBAL BOOM STAND

## 4000 SERIES STANDS

# 4710



ID	MODEL	PART
1	SC-13P2	WING NUT
2	SC-CFS/4	SMALL CYMBAL FELT
3	SC-19B	CYMBAL DISK
4	GP-4112	CYMBAL TILTER ASSEMBLY
5	GP-4113	WING NUT/BOLT ASSEMBLY
6	GP-4119	UPPER HEIGHT ADJUST TUBE
7	GP-4105	5/8" NYLON INNER BUSHING
8	GP-6276	WING/SHORT BOLT SET
9	GP-4118	LOWER BASE ASSEMBLY
10	SC-0009	WING BOLT
11	GP-4100	RUBBER FOOT

MODEL	DESCRIPTION
4710	4700 SERIES STRAIGHT CYMBAL STAND

